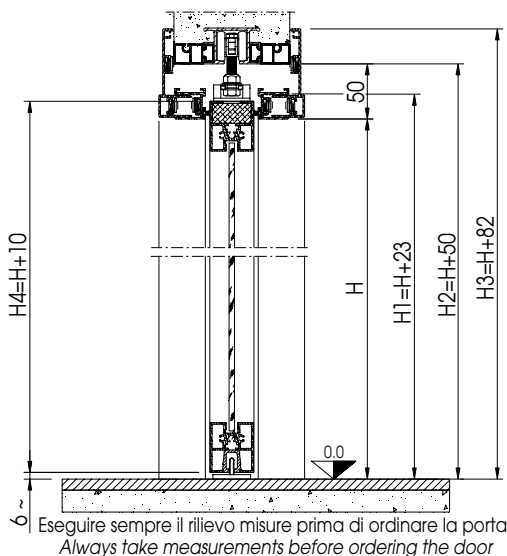


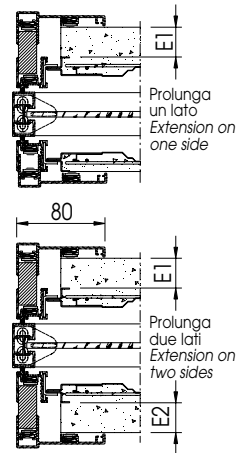


ACQUA PER BASE / IN VETRO E ALLUMINIO ACQUA FOR BASE / IN GLASS AND ALUMINIUM

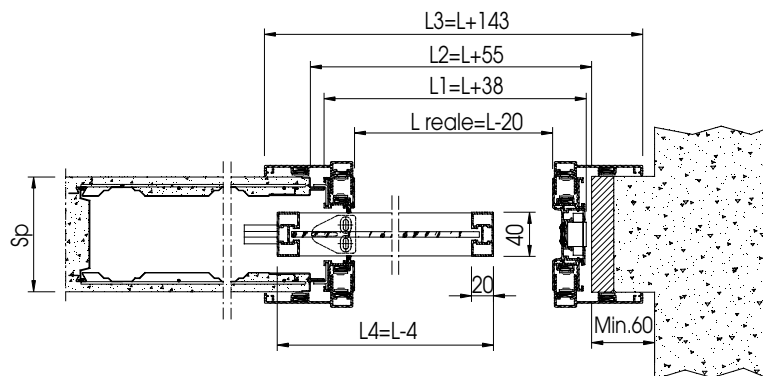
SINGOLA SINGLE



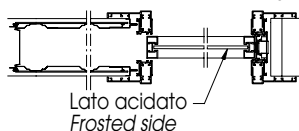
Prolunghe cornice
Frame extensions



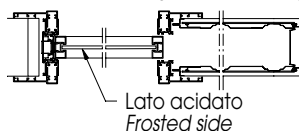
E' necessario comunicare sempre la presenza del rivestimento
The presence of a wall covering must always be communicated.



Apertura a SX - Left-hand opening

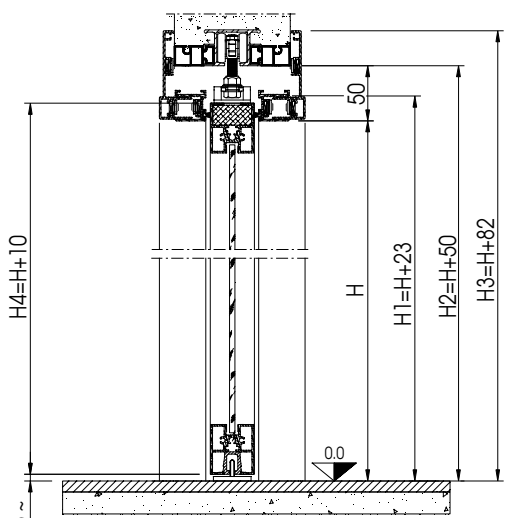


Apertura a DX - Right-hand opening



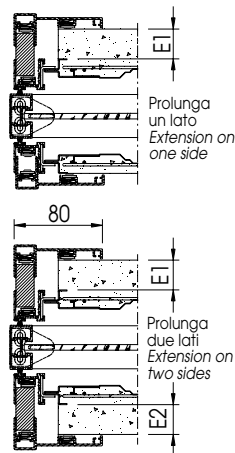
LUCE DI PASSAGGIO CLEAR OPENING SIZE	ESTERNO TELAIO FRAME EXTERIOR	LUCE VANO OPENING DIMENSIONS	INGOMBRI COPRIFILI EDGING TRIM DIMENSIONS	MISURA ANTA DOOR MEASUREMENT	SPESSORE PARETE FINISHED WALL
L x H	L1 x H1	L2 x H2	L3 x H3	L4 x H4	Sp
600 x 1900 ÷ 2700	638 x 1923 ÷ 2723	655 x 1950 ÷ 2750	743 x 1982 ÷ 2782	596 x 1910 / 2710	Intonaco Plaster 90* - 105 125 - 145 *H. max 2100 Cartongesso Plasterboard 100*** - 125 ***H. max 2400
700 x 1900 ÷ 2700	738 x 1923 ÷ 2723	755 x 1950 ÷ 2750	843 x 1982 ÷ 2782	696 x 1910 / 2710	
750 x 1900 ÷ 2700	788 x 1923 ÷ 2723	805 x 1950 ÷ 2750	893 x 1982 ÷ 2782	746 x 1910 / 2710	
800 x 1900 ÷ 2700	838 x 1923 ÷ 2723	855 x 1950 ÷ 2750	943 x 1982 ÷ 2782	796 x 1910 / 2710	
900 x 1900 ÷ 2700	938 x 1923 ÷ 2723	955 x 1950 ÷ 2750	1043 x 1982 ÷ 2782	896 x 1910 / 2710	
1000 x 1900 ÷ 2700	1038 x 1923 ÷ 2723	1055 x 1950 ÷ 2750	1143 x 1982 ÷ 2782	946 x 1910 / 2710	
**1100 x 1900 ÷ 2700	1138 x 1923 ÷ 2723	1155 x 1950 ÷ 2750	1243 x 1982 ÷ 2782	1096 x 1910 / 2710	
**1200 x 1900 ÷ 2700	1238 x 1923 ÷ 2723	1255 x 1950 ÷ 2750	1343 x 1982 ÷ 2782	1196 x 1910 / 2710	

** solo per spessore parete 105-125-145 only for walls thickness 105 - 125 - 145

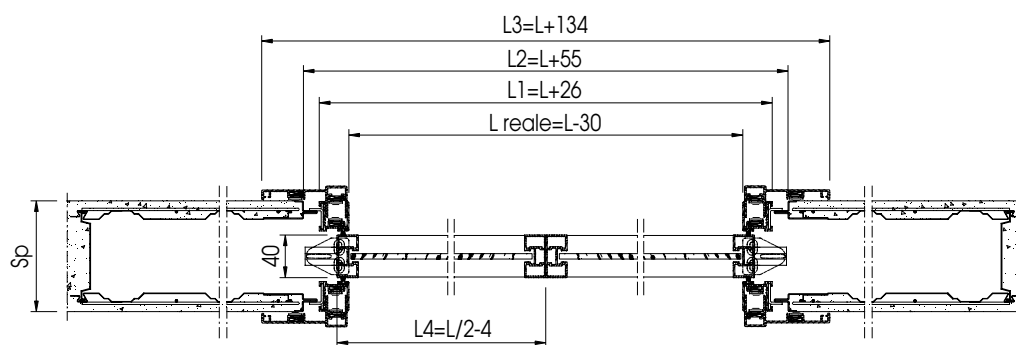


Eeguire sempre il rilievo misure prima di ordinare la porta
Always take measurements before ordering the door

Prolunghe cornice
Frame extensions



E' necessario comunicare sempre la presenza del rivestimento
The presence of a wall covering must always be communicated.



ALLUMINIO
ALUMINIUM

VETRO TEMPERATO O STRATIFICATO
TEMPERED OR LAMINATED GLASS

LUCE DI PASSAGGIO CLEAR OPENING SIZE	ESTERNO TELAIO FRAME EXTERIOR	LUCE VANO OPENING DIMENSIONS	INGOMBRI COPRIFILI EDGING TRIM DIMENSIONS	MISURA ANTA DOOR MEASUREMENT	SPESSORE PARETE FINISHED WALL
L x H	L1 x H1	L2 x H2	L3 x H3	L4 x H4	Sp
1200 x 1900 ÷ 2700	1226 x 1923 ÷ 2723	1255 x 1950 ÷ 2750	1334 x 1977 ÷ 2782	596 x 1910 / 2710	Intonaco Plaster 90* - 105 125 - 145 *H. max 2100
1400 x 1900 ÷ 2700	1426 x 1923 ÷ 2723	1455 x 1950 ÷ 2750	1534 x 1977 ÷ 2782	696 x 1910 / 2710	
1600 x 1900 ÷ 2700	1626 x 1923 ÷ 2723	1655 x 1950 ÷ 2750	1734 x 1977 ÷ 2782	746 x 1910 / 2710	
1800 x 1900 ÷ 2700	1826 x 1923 ÷ 2723	1855 x 1950 ÷ 2750	1934 x 1977 ÷ 2782	896 x 1910 / 2710	
2000 x 1900 ÷ 2700	2026 x 1923 ÷ 2723	2055 x 1950 ÷ 2750	2134 x 1977 ÷ 2782	996 x 1910 / 2710	
2200 x 1900 ÷ 2700	2226 x 1923 ÷ 2723	2255 x 1950 ÷ 2750	2334 x 1977 ÷ 2782	1096 x 1910 / 2710	Cartongesso Plasterboard 100* - 125 ***H. max 2400
**2400 x 1900 ÷ 2700	2426 x 1923 ÷ 2723	2455 x 1950 ÷ 2750	2534 x 1977 ÷ 2782	1196 x 1910 / 2710	

** solo per spessore parete 105 - 125 - 145 only for walls thickness 105 - 125 - 145